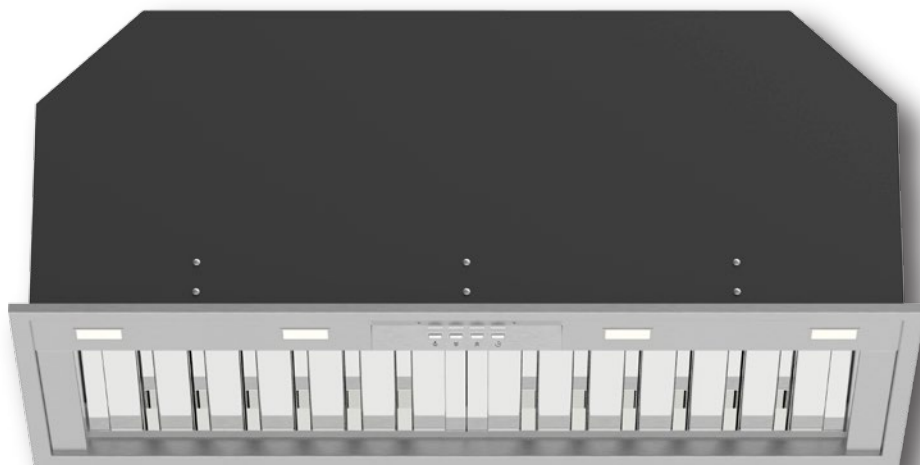


# MONTE CARLO 90 SUPER DEEP



## Product Features

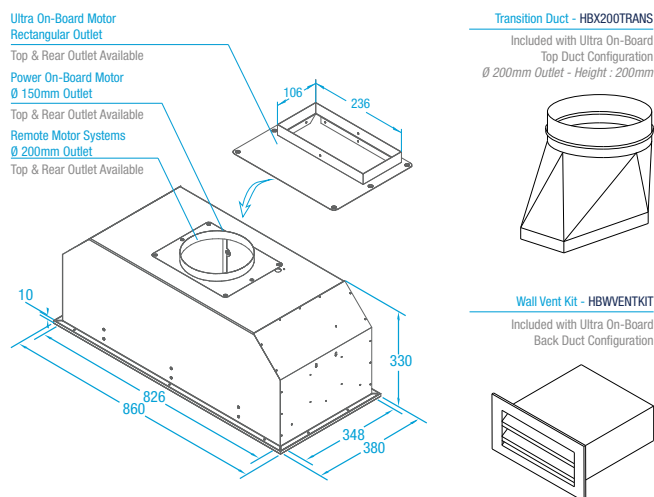
Hood Mounting	Built In (Under Mount)
Cooking Coverage	Suits 80cm - 100cm Cooking Surfaces
Filtration	S-Flow Baffle Filters 2x (H-25) - Dishwasher Safe
Lighting	LED 4x (1.0W)
Finish	<b>AISI304 1.2mm</b> High Grade Stainless Steel
Controls	LED Backlit 4 Button <i>mastermind</i> Electronic Control with LED Speed Indicator
Speed Settings	3 Speed + Boost Mode
Timer Function	Programmable Timer (10min Increments) + Auto Shut Off After 2Hrs Of Inactivity
Ducting	200mm Acoustic Flexi Ducting - Five (5) Meter Length (Supplied only with Remote Motors)
Hood Width	860mm
Hood Depth	<b>380mm</b>
Hood Height	330mm (Plus 25mm Top Outlet)



## Filtration Zone



## Dimensioned Drawing



## Model / Extraction Unit Selection

X3MD09S5.IL	Built In Hood	KleenAir <b>Lite</b> Remote Fan Solution - <b>800 m³/hr</b>	Remote <b>Inline</b> Motor System
X3MD09S5.EL	Built In Hood	KleenAir <b>Lite</b> Remote Fan Solution - <b>800 m³/hr</b>	Remote <b>External</b> (Roof or Wall Mounted) Motor System
X3MD09S5.IP	Built In Hood	KleenAir <b>Pro</b> Remote Fan Solution - <b>1140 m³/hr</b>	Remote <b>Inline</b> Motor System
X3MD09S5.EP	Built In Hood	KleenAir <b>Pro</b> Remote Fan Solution - <b>1140 m³/hr</b>	Remote <b>External</b> (Roof or Wall Mounted) Motor System
X3MD09S5.EPP	Built In Hood	KleenAir <b>Pro Plus</b> Remote Fan Solution - <b>2010 m³/hr</b>	Remote <b>External</b> (Roof or Wall Mounted) Motor System
X3MD09S5.OP/T	Built In Hood	KleenAir <b>Power</b> On Board Fan Solution - <b>1020 m³/hr</b>	<b>On-Board</b> Motor System - <b>Top</b> Ducted (150mm Outlet)
X3MD09S5.OP/B	Built In Hood	KleenAir <b>Power</b> On Board Fan Solution - <b>1020 m³/hr</b>	<b>On-Board</b> Motor System - <b>Back</b> Ducted (150mm Outlet)
X3MD09S6.OU/T	Built In Hood	KleenAir <b>Ultra</b> EC On Board Fan Solution - <b>1680 m³/hr</b>	<b>On-Board</b> Motor System - <b>Top</b> Ducted (Inc. Transition Duct)
X3MD09S6.OU/B	Built In Hood	KleenAir <b>Ultra</b> EC On Board Fan Solution - <b>1680 m³/hr</b>	<b>On-Board</b> Motor System - <b>Back</b> Ducted (Inc. Wall Vent Kit)