

NEW YORK 120

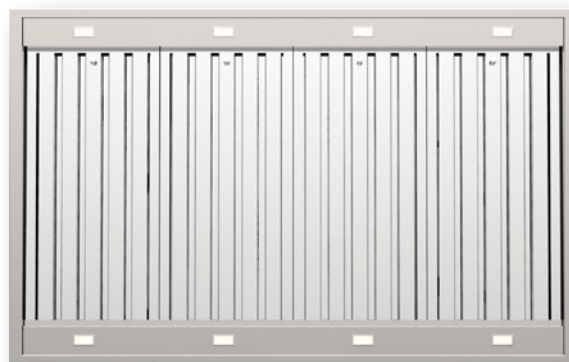


Product Features

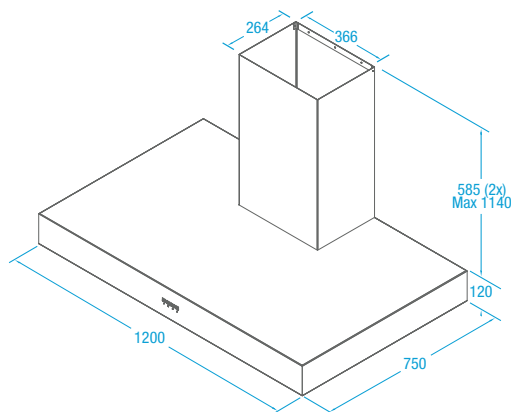
Hood Mounting	Alfresco Wall Hung
Cooking Coverage	Suits 100cm - 120cm Cooking Surfaces
Filtration	S-Flow Baffle Filters 4x (H-25) - Dishwasher Safe
Lighting	LED 8x (1.0W)
Finish	AISI316 1.0mm High Grade Stainless Steel
Controls	LED Backlit 4 Button <i>mastermind</i> Electronic Control with LED Speed Indicator with Remote Controller
Speed Settings	3 Speed + Boost Mode
Timer Function	Programmable Timer (10min Increments) + Auto Shut Off After 2Hrs Of Inactivity
Ducting	200mm Acoustic Flexi Ducting - Five (5) Meter Length
Hood Width	1200mm
Hood Depth	750mm
Hood Height (Fascia)	120mm



Filtration Zone



Dimensioned Drawing



Model / Extraction Unit Selection

X5N12S5.EPP	Alfresco Wall Hung Canopy	KleenAir Pro Plus Remote Fan Solution - 2010 m³/hr	Remote External (Roof or Wall Mounted) Motor System
--------------------	---------------------------	---	--